

*The Allegro*

Model A-10

## LIST OF REPLACEABLE PARTS

## Model A10

Description	List Price
Electrolytic, Cap. 40 mfd/375 volts	
20 mfd/325 volts	
100 mfd/25 volts	\$2.30
Control, Bass	1.00
Control, Treble	1.00
Switch, Function	1.50
Transformer, Power	10.00
Transformer, Output	7.00
Escutcheon	2.50
Knob W/White Line (Large)	.15
Knob W/White Line	.15
Instruction Book	.50
Mounting Template	.25
Control, Volume & Switch	1.40
Cage	6.00

Harman-Kardon high fidelity instruments incorporate advanced production as well as advanced circuit features. They reflect the highest state of the art audio equipment. We hope your unit provides you with many hours of enjoyment.

Customer Service Department is maintained to answer your correspondence about High Fidelity and to make recommendation of appropriate accessories. Please feel free to write without obligation.

**harman kardon**520 MAIN STREET  
WESTBURY, L. I., N. Y.**INTRODUCTION**

It is essential you read this instruction book carefully before setting up your high fidelity system. You have invested in a fine instrument into which many excellent engineering developments have been incorporated, and each is important for the proper operation of your system. This booklet has been written in non-technical language and if you will take the time to read it first before doing anything else, you will find it simple to obtain optimum performance from your Harman-Kardon unit.

**UNPACKING**

After unpacking the Allegro, Model A-10, inspect it carefully for signs of damage in transit. This unit was subjected to many inspections and tests prior to final packing and it, therefore, should be in perfect condition. If damage is visible, notify your dealer at once. If the unit was shipped to you, notify the transportation company immediately.

Check the contents of the carton carefully and inspect the folds of the packing material before discarding it.

The package should contain:

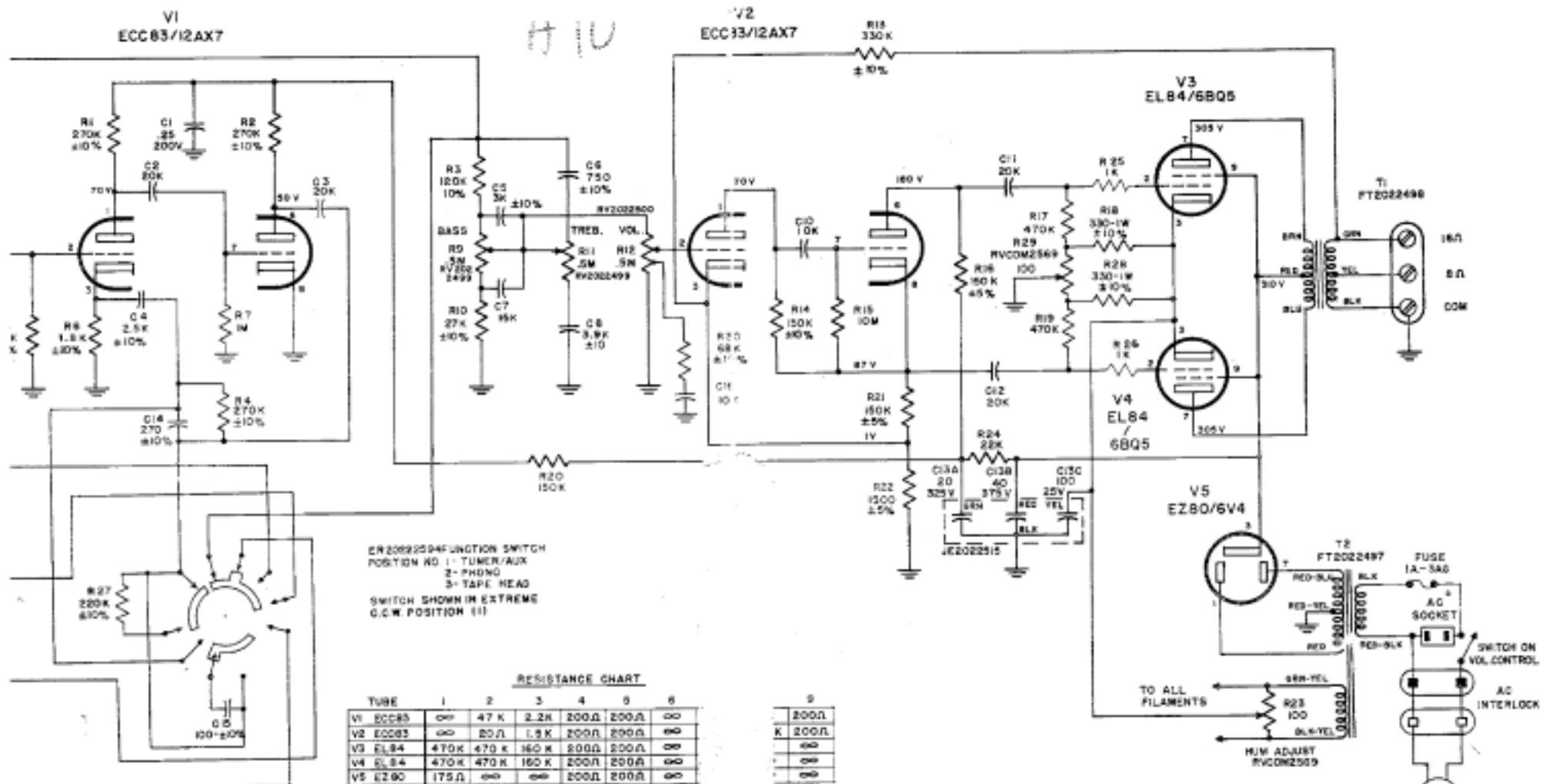
- 1 Allegro, Model A-10 amplifier.
- 1 Instruction Booklet.
- 1 Warranty Card.
- 1 Mounting Template.

**WARRANTY**

It is strongly urged that the warranty card be completed and mailed without delay, to protect your rights under warranty. These cards are carefully filed for reference and should you require information on the use of this high fidelity unit or repair service, we will be able to immediately identify your set and respond quickly.

It is necessary to receive factory authorization before returning a set for warranty repair. We will suggest a warranty station in your area and give you the proper procedure and authorization for shipping.

We warrant each Allegro, Model A-10 to be free from defects in material and workmanship under normal use and service, and in accordance with the



2R2022594FUNCTION SWITCH  
POSITION NO. 1- TUNER/AUX  
2- PHONO  
3- TAPE HEAD  
SWITCH SHOWN IN EXTREME  
C.C.W. POSITION (1)

**NOTES:**

UNLESS OTHERWISE SPECIFIED,  
ALL RESISTORS 1/2 WATT ±20% AND IN OHMS.  
ALL CAPACITOR VALUES WITH DECIMAL POINT  
TO BE PAPER IN MFD ±20%.  
ALL CAPACITOR VALUES WITHOUT DECIMAL POINT  
TO BE GENERAL PURPOSE CERAMICS 500VDC IN  
MMF.

S297  
S2022508E

STANCE AND VOLTAGE READINGS  
LECTION SWITCH IN TUNER/AUX  
UME CONTROL IN C.C.W. POSITIONS.  
STANCES ARE IN OHMS

117VAC  
60CP5